

C2 Lido Forum Limited Edition

OWNER'S HANDBOOK

Time on your side...

Your Christopher Ward watch has been designed and engineered by highly talented craftspeople to ensure not only accurate and precise timekeeping but also to bring a real pride of ownership that only luxury items of the highest quality can ever hope to deliver.

You have made an investment, a good one, and the aim of this handbook is to help you make the most of that investment during what I hope will be a lifetime of ownership.

A handwritten signature in black ink that reads "Chris". The letters are fluid and cursive, with a prominent capital "C" and a small dot above the "i".

Christopher Ward

Caring for your Christopher Ward automatic watch

Your C2 Lido Limited Edition is constructed from the finest components and materials available including one of Switzerland's finest automatic movements. As with all mechanical watches of this quality, with just a little care, it has the potential to become an heirloom piece giving further joy to future generations.

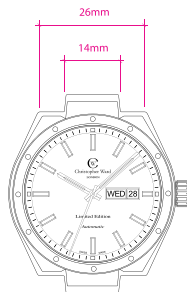
Here are a few hints to help keep your watch working perfectly over the years:

- Never fully wind your watch if it stops, 5-10 revolutions should suffice to have it restart.
- Try and wear your watch everyday, if possible, as this will both enable it to keep better time as well as preventing the lubricants in the movement from solidifying.
- Your watch is fitted with the finest Incabloc anti-shock system which should protect it if dropped onto a carpeted surface. However, it is best to avoid hard surfaces or sharp knocks. You may not want to wear your watch whilst playing racquet sports, for instance.
- There are many differing views about the right frequency for servicing your watch, ranging from 2 to 7 years! A modern mechanical watch like yours shouldn't need servicing more than every 4 years but we wouldn't recommend leaving it longer than this as, just like a car, the oil needs topping up from time to time.
- Always use a reputable watch repairer to clean and lubricate your watch.

Should you need a replacement part - don't worry, we keep stocks of spare parts for years, even for discontinued models. It's all part of the Christopher Ward service.

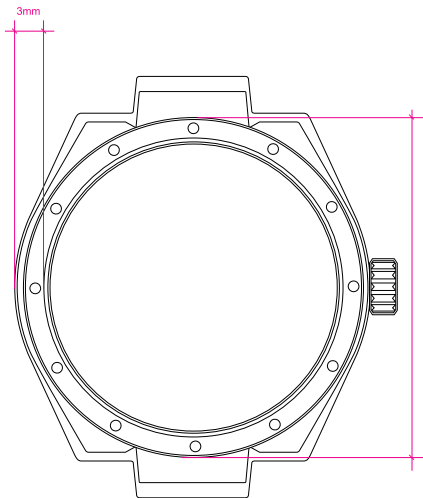
Finally, don't forget our famous **60:60 Guarantee** allows you to return your watch absolutely free, for any reason, and with no quibbles, for up to 60 days after purchase and we also guarantee your movement for up to 60 months.

After all, why shouldn't you enjoy peace of mind as much as you enjoy your watch?



ACTUAL SIZE





316L Stainless Steel brushed finish
Sapphire Crystal - underside anti-reflective coating



316L Stainless Steel brushed finish
Sapphire Crystal - underside anti-reflective coating

The C2 Lido Forum Limited Edition

Features

- 25 jewel Swiss automatic movement
- Convex sapphire crystal with anti-reflective coating
- Water resistant to 100m (10 atm)
- Adjustable quick-release butterfly clasp
- Screwdown case with unique serial number
- Day/date window
- Screw-in crown
- Self winding (automatic)

Technical Data

- Diameter: 40mm
- Height: 8.5mm
- Weight: 80g - 140g
- Case: 316L Stainless steel
- Calibre: ETA 2836-2
- Accuracy: 28,800 vibrations per hour: 4 Hz

Description of the display and control buttons

Display elements

Minute Hand

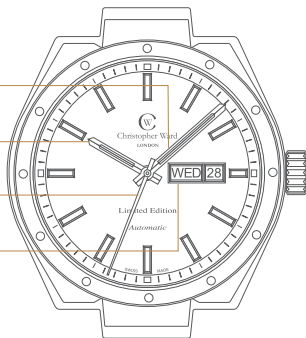
Hour hand

Second hand

Day/Date Window

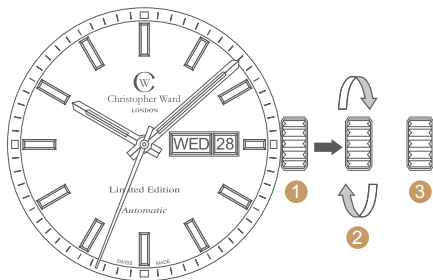
Control buttons

Crown



Setting the time and date

To get to position ①, turn the crown anti-clockwise until it releases itself.



- From position ①, pull the crown to position ② and adjust the calendar display in a clockwise direction and the day in an anti-clockwise direction
- Pull the crown to position ③ and adjust the time setting in either a clockwise or anti-clockwise direction.
- After adjusting to the correct time ensure that the crown is screwed back in until flush with the case in order that water resistance is maintained.

Fitting the bracelet

If you find the bracelet needs adjusting to your wrist we recommend you have it re-sized by a reputable watch repairer or jeweller. Most local jewellers will either do this for free or perhaps make a nominal charge for what is a job that should only take a few minutes. It is always best to be present so a comfortable fit is achieved.

Establishing the length of the bracelet

Place the watch with its separated bracelet on your wrist and estimate the number of links you need to remove. If you need to remove several links, try to keep the numbers removed from both halves of the bracelet as equal as possible to ensure that the clasp remains roughly in the middle of your wrist.



To open your bracelet simply press either side of the clasp to release as shown.

The quick-release butterfly clasp

The strap versions of the C2 Lido Forum Limited Edition use quick-release butterfly clasps. If you are unfamiliar with the butterfly clasp system just follow our 8 step guide below.



Step 1 Locate the clasp



Step 2 Click quick-release



Step 3 Pull open clasp



Step 4 Prise cover open



Step 5 Thread strap through



Step 6 Snap back



Step 7 Close clasp



Step 8 Complete



1 ATM (10 Metres)

Safe to wear your watch while washing your hands with tap water.



3 ATM (30 Metres)

Washing your car and or general hosepipe usage.



5 ATM (50 Metres)

Water resistant to most household shower units.



10 ATM (100 Metres)

Safe to use while snorkelling in open water, it is not advisable to dive with your watch.



30 ATM (300 Metres)

Ideal for experienced divers and, in general, anybody practising scuba-diving.



50 ATM (500 Metres)

Professional divers, experienced prolonged exposure underwater.

Water resistance

Please note. these are only guidelines but we strongly urge you to adhere to them to retain the integrity of your watch. If you have any queries regarding this please contact us direct.

NB. To safeguard watch movement please ensure the crown is, at all times, screwed in correctly.

Keeping in touch with Christopher Ward...

From small beginnings just a few short years ago (our first workshop was actually a refurbished chicken shed!), Christopher Ward has won a worldwide following for his eponymous watch brand and can justifiably claim to manufacture the most affordable luxury watches in the world.

For many, the philosophy behind the brand, trying to put luxury watches within the reach of everyone, is as attractive as the watches themselves as is the very open approach of the business which means that Chris and the team spend a lot of time communicating personally with our customers - many of whom have become friends.

As the owner of a Christopher Ward watch, if ever you need to get hold of us we are at your service. We have listed some useful contact details on the back cover.

There is also always something new going on at our website at **www.christopherward.co.uk** and, if you haven't already discovered the independent forum dedicated to our brand at **www.christopherwardforum.com** we would recommend a visit. Informative and fun, it's a great place to hear the unexpurgated view of Christopher Ward of London!